

Over 40 Years
Of Expert Casework



Custom Casework
Expertly Crafted

1406 7th Avenue,
Council Bluffs, IA 51501

712 323 1405
sales@hwicustominteriors.com

hwicustominteriors.com

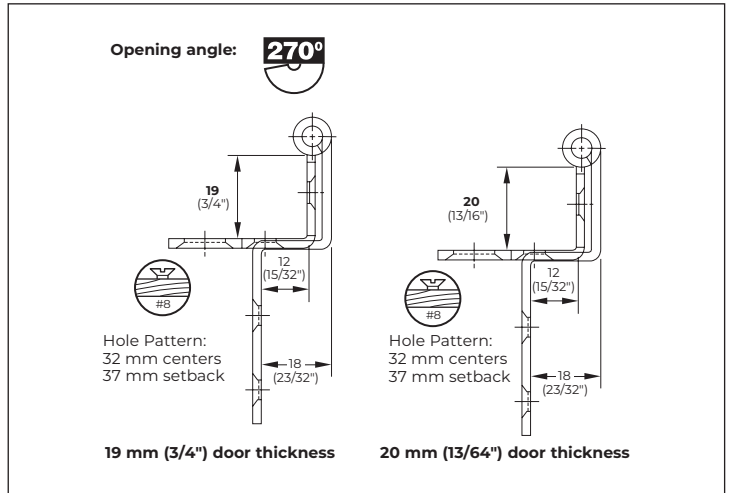
RPC Five Knuckle Hinges



RPC Five Knuckle Hinges

The five knuckle hinge is a quality hinge with a value price to meet the needs of today's competitive marketplace.

- Industry standard 2-3/4" five knuckle hinge
- ANSI-BHMA 156.9 Grade 1 compliant
- Durable .090" cold rolled steel (76SS is 304 Stainless)
- Hospital tips
- 270 degree opening angle
- Non-removable knurled pin
- Uses #8 or Euro screws



PART #	Side Panel	A	B	C	Reveal
74-26D	3/4" (19mm)	3/4" (19mm)	23/32" (18.3mm)	15/32" (11.9mm)	9/32" (7.1mm)
74-BL	3/4" (19mm)	3/4" (19mm)	23/32" (18.3mm)	15/32" (11.9mm)	9/32" (7.1mm)
74-CPC	3/4" (19mm)	3/4" (19mm)	23/32" (18.3mm)	15/32" (11.9mm)	9/32" (7.1mm)
76-26D	3/4" (19mm)	13/16" (20.6mm)	23/32" (18.3mm)	15/32" (11.9mm)	9/32" (7.1mm)
76-BL	3/4" (19mm)	13/16" (20.6mm)	23/32" (18.3mm)	15/32" (11.9mm)	9/32" (7.1mm)
76-CPC	3/4" (19mm)	13/16" (20.6mm)	23/32" (18.3mm)	15/32" (11.9mm)	9/32" (7.1mm)
76-SS	3/4" (19mm)	13/16" (20.6mm)	23/32" (18.3mm)	15/32" (11.9mm)	9/32" (7.1mm)